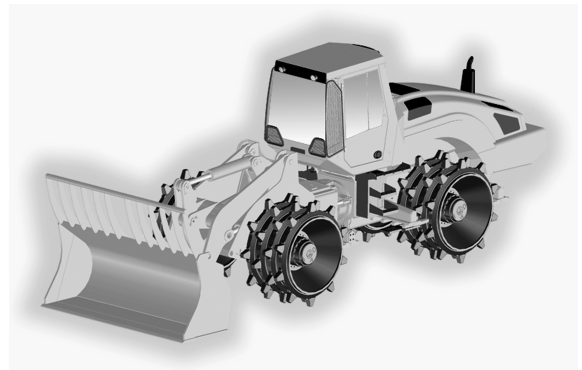




## REFUSE COMPACTOR BC 472 RS

### PERFORMANCE DATA

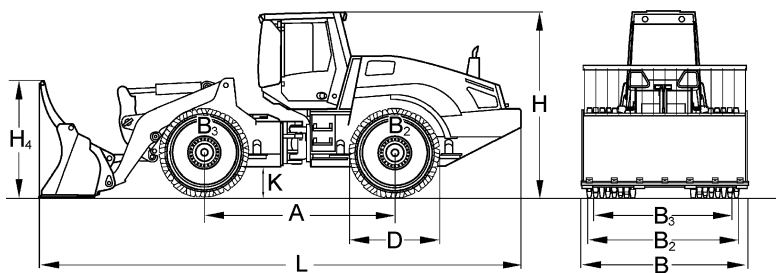


# Technical Data

## Shipping dimensions in m3

BC 472 RS

89,843



## Optional Equipment

- Premium compaction wheels with highly wear resistant teeth
- Central lubrication system
- Air suspended seat
- Cabin ventilation with activated carbon filter and overpressure
- Radio
- Pre start cabin heating
- Rotary beacon
- Fire extinguisher
- Special painting
- Environmentally compliant hydraulic oil
- Electrical anti-theft system with numerical code
- Protective ventilation system
- Tool kit
- Engine rpm preselection / Decelerator pedal
- Protective grille for cabin
- Working platform
- Reversible fan
- TELEMATIC POWER

## Dimensions in mm

|           | A    | B    | B2   | B3   | D    | H    | H4   | K   | L    |
|-----------|------|------|------|------|------|------|------|-----|------|
| BC 472 RS | 3500 | 2998 | 2660 | 2885 | 1660 | 3390 | 2125 | 600 | 8840 |

## Technical Data

**BOMAG**  
**BC 472 RS**

### Weights

|                             |    |        |
|-----------------------------|----|--------|
| Grossweight .....           | kg | 26.000 |
| Operating weight CECE ..... | kg | 25.200 |
| Axle load, front CECE ..... | kg | 12.000 |
| Axle load, rear CECE .....  | kg | 13.000 |

### Driving Characteristics

|  |      |         |
|--|------|---------|
| Speed (1), forward .....                       | km/h | 0- 4,5  |
| Speed (1), reverse .....                       | km/h | 0- 4,5  |
| Speed (2), forward .....                       | km/h | 0- 12,0 |
| Speed (2), reverse .....                       | km/h | 0- 12,0 |
| Max. gradeability (depending on soil con ..... | %    | 100     |
| Max. pushing force .....                       | kN   | 272     |

### Drive

|                              |                 |       |
|------------------------------|-----------------|-------|
| Engine manufacturer .....    | Deutz           |       |
| Type .....                   | TCD 2013 L06 2V |       |
| Emission stage .....         | 3/3a            |       |
| Cooling .....                | water           |       |
| Number of cylinders .....    | 6               |       |
| Performance ISO 9249 .....   | kW              | 190,0 |
| Performance SAE J 1349 ..... | hp              | 261,0 |
| Speed .....                  | min-1           | 2.300 |
| Travel system .....          | hydrost.        |       |
| Operating voltage .....      | V               | 12    |

### Compaction Wheels

|                                      |    |       |
|--------------------------------------|----|-------|
| Width, front .....                   | mm | 900   |
| Width, rear .....                    | mm | 900   |
| Outer diameter (front) .....         | mm | 1.660 |
| Outer diameter (rear) .....          | mm | 1.660 |
| Number of teeth/cutters, front ..... |    | 40    |
| Number of teeth/cutters, rear .....  |    | 40    |
| Compaction coverage per side .....   | mm | 1.013 |

### Brakes

|                     |           |
|---------------------|-----------|
| Service brake ..... | hydrost.  |
| Parking brake ..... | hydromec. |

### Steering

|                             |              |       |
|-----------------------------|--------------|-------|
| Steering system .....       | oscil.artic. |       |
| Steering method .....       | hydraulic    |       |
| Steering angle +/- .....    | grad         | 35    |
| Oscillating angle +/- ..... | grad         | 15    |
| Track radius, inner .....   | mm           | 4.116 |

### Capacities

|                     |   |       |
|---------------------|---|-------|
| Fuel .....          | l | 375,0 |
| Engine oil .....    | l | 27,5  |
| Hydraulic oil ..... | l | 300,0 |

Technical modifications reserved. Machines may be shown with options.



PRE 930 01 001

010213 Sa02

**BOMAG**  
Hellerwald  
D-56154 Boppard  
P.O. Box 5162  
Tel. (0)6742 - 1000  
Fax (0)6742 - 3090

